

## SNAP-IN REFLECTOR INSTALLATION AND REMOVAL INSTRUCTIONS

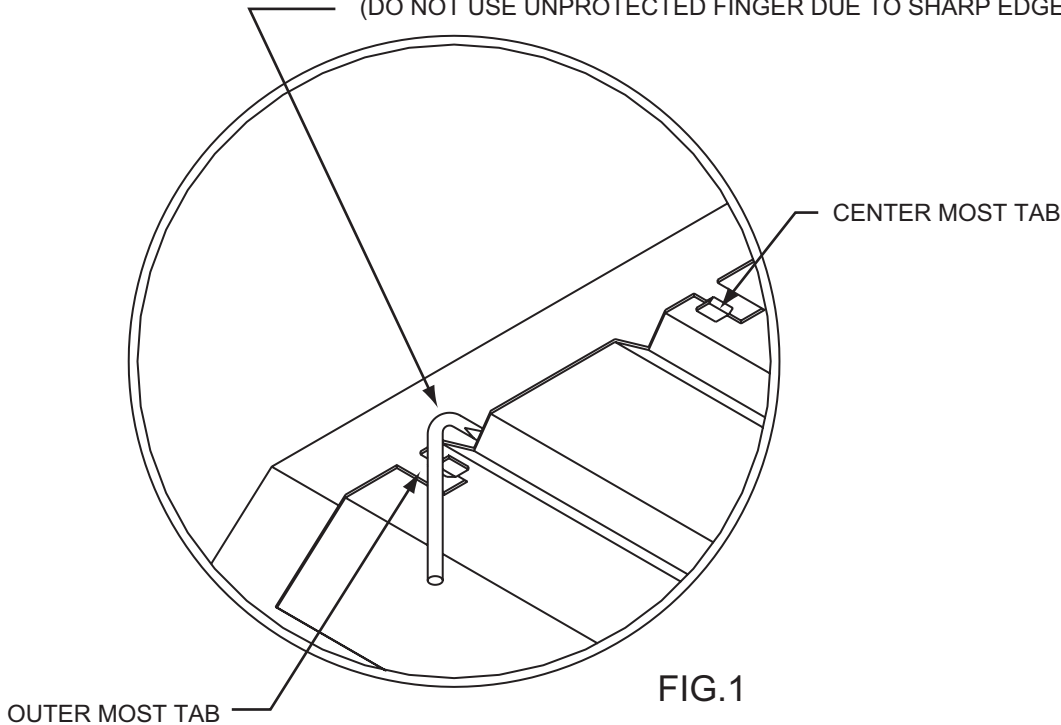
### TO INSTALL REFLECTOR:

ALIGN ONE END WITH TABS AND SLIDE SLOTS INTO TABS. ON THE OTHER END OF THE REFLECTOR INSERT REFLECTOR INTO CENTER MOST TAB. FLEX REFLECTOR AND INSERT REFLECTOR INTO OUTER TAB (SEE FIG.1).

### TO REMOVE REFLECTOR:

REMOVE REFLECTOR FROM EXTERIOR TAB BY FLEXING REFLECTOR (SEE FIG.1). SLIDE REFLECTOR FROM CENTER MOST TAB AND SLIDE OUT OTHER SIDE.

A CURVED TOOL, LIKE A 90 DEGREE SCREW DRIVER,  
MAY BE NEEDED TO FLEX REFLECTOR  
(DO NOT USE UNPROTECTED FINGER DUE TO SHARP EDGES)



NOTE: WHEN FLEXING REFLECTOR TAKE CARE NOT TO DISTORT REFLECTOR.

### NOTE

All fixtures must be installed, wired and grounded in accordance with the National Electric Code and all other applicable codes.

### !!! WARNING !!!

RISK OF FIRE OR ELECTRICAL SHOCK. ELECTRICAL PARTS MAY BE DAMAGED WHEN DRILLING OR USING "TEK" SCREWS FOR INSTALLATION OF MOUNTING HARDWARE. CHECK ENCLOSED WIRING AND COMPONENTS. USE CAUTION WHEN DRILLING "TEK" SCREWS INTO A BLIND AREA. TO PREVENT WIRING DAMAGE DO NOT EXPOSE WIRING TO SHARP EDGES.

